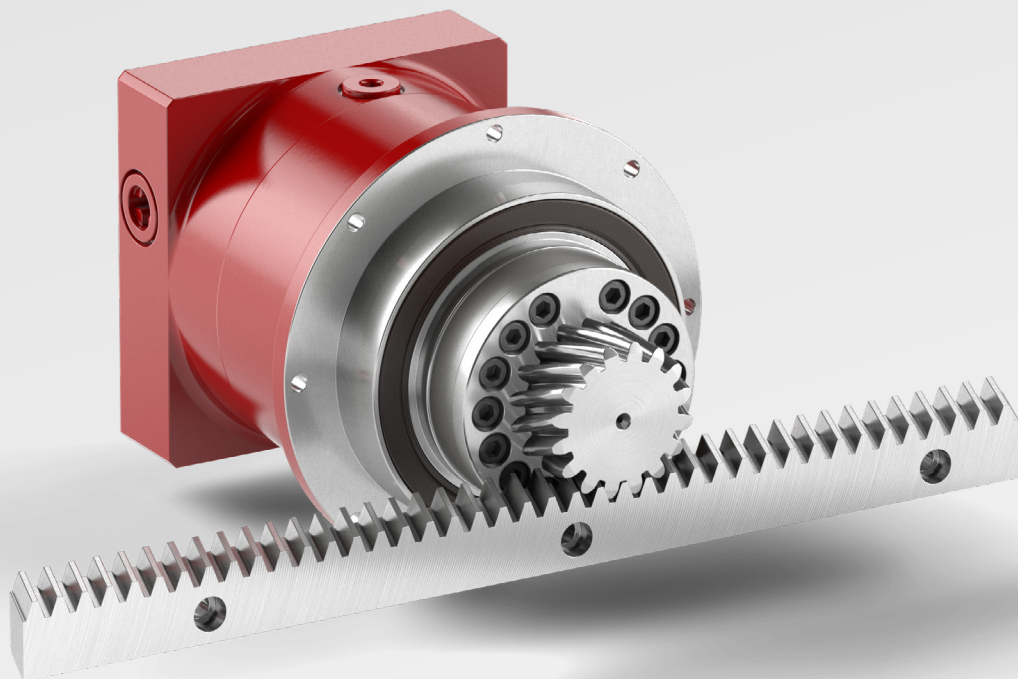
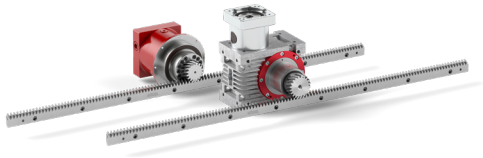


# Q8

New rack for your dynamic drive train system

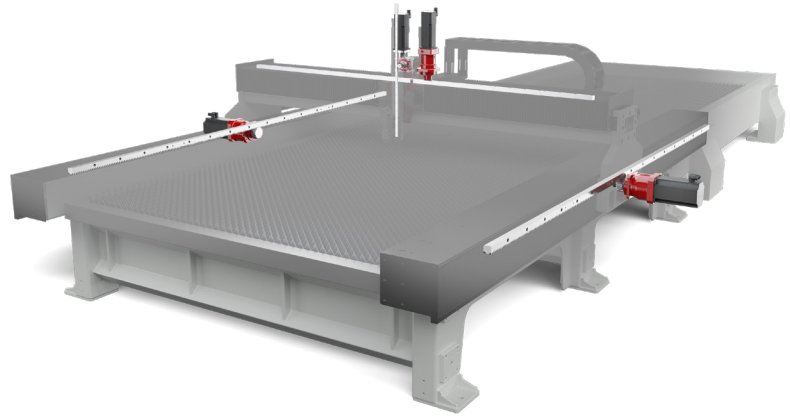


## THE IDEAL CONFIGURATION



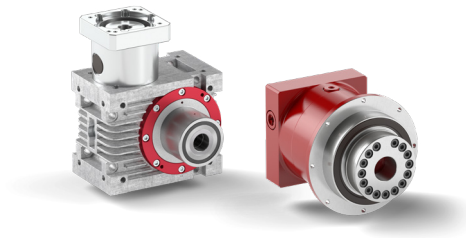
### DRIVE TRAIN PACKAGES

The ideal drive train consists of a package of perfectly matched Güdel components, that can be easily integrated in many customer application: compact, powerful, robust and efficient. At Güdel, you benefit from the support of our extensive experience as a components manufacturer. We will be happy to design and size your drive train for you.



### RACK

Racks for maximum performance and efficiency: We rely on our modular system of high-quality racks. Precision, high speed and acceleration are the characteristics of our linear technology components and also guarantee you maximum cost-effectiveness with your drive train.



### GEARBOXES

Whether high-performance planetary gearboxes or our proven angle gearboxes, thanks to their outstanding properties, our gearboxes are ideally equipped for tough everyday work. Güdel gearboxes offer smooth running, high quality and a long service life. They transmit high rotational speeds and high power in a compact design, so that many complex requirements can be met.



### PINIONS

We offer you the perfectly matched pinion for your application, the widest possible range of variants in different qualities, materials and all common modules. In this way, we guarantee you high positioning accuracy, feed force and smooth running.

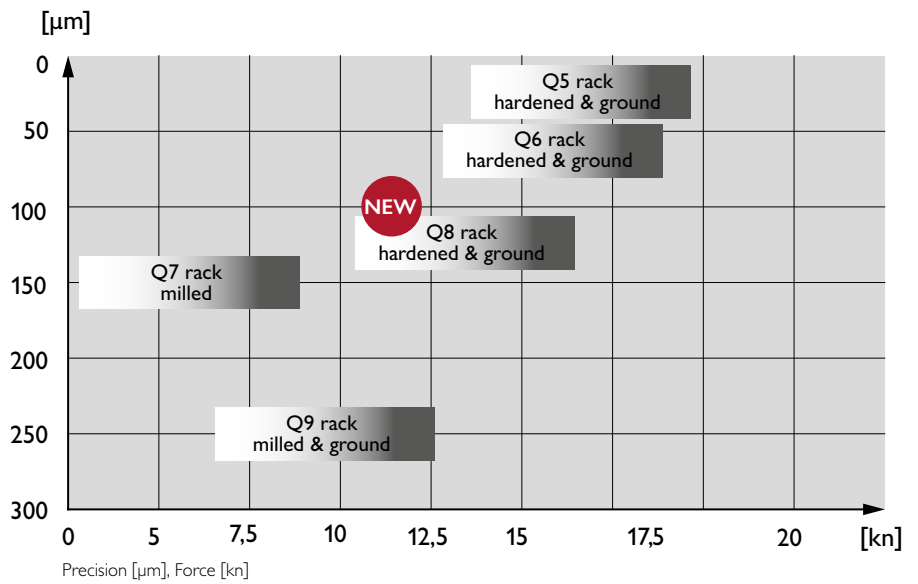


View website  
[https://www.gudel.com/  
products/components](https://www.gudel.com/products/components)

## PROVEN SOLUTIONS

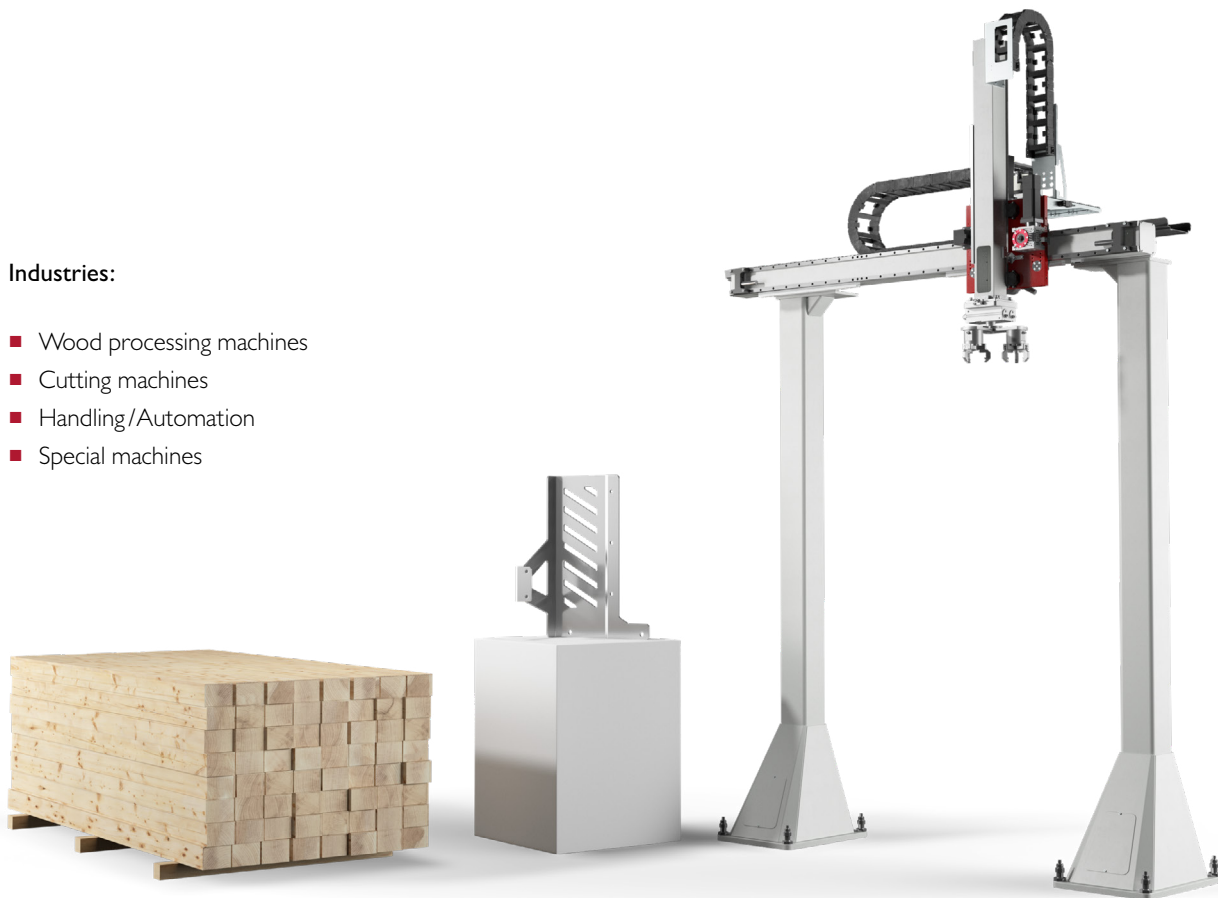
With our new Q8 rack we complete our rack portfolio and cover your application even better. Whether for wood processing machines, cutting systems, handling and automation systems or also in the special machine sector, you will find the right rack at Güdel.

We have a solution for your application. Whether hardened, ground or just milled, our components are available in different materials, sizes and variants.



### Industries:

- Wood processing machines
- Cutting machines
- Handling/Automation
- Special machines



Güdel manufactures high-quality components for powertrains. With the completion of our rack program, the wide range of pinions and high-performance gear boxes, we offer you complete solutions at the highest possible level.

In a future-oriented supply chain, automation plays a decisive role. With the powerful powertrains from Güdel, we guarantee you a highly economical and reliable operation of your system.

Güdel Group AG  
Gaswerkstrasse 26  
4900 Langenthal  
Switzerland  
+41 62 916 91 91  
info@ch.gudel.com

We are there for you. Worldwide.

